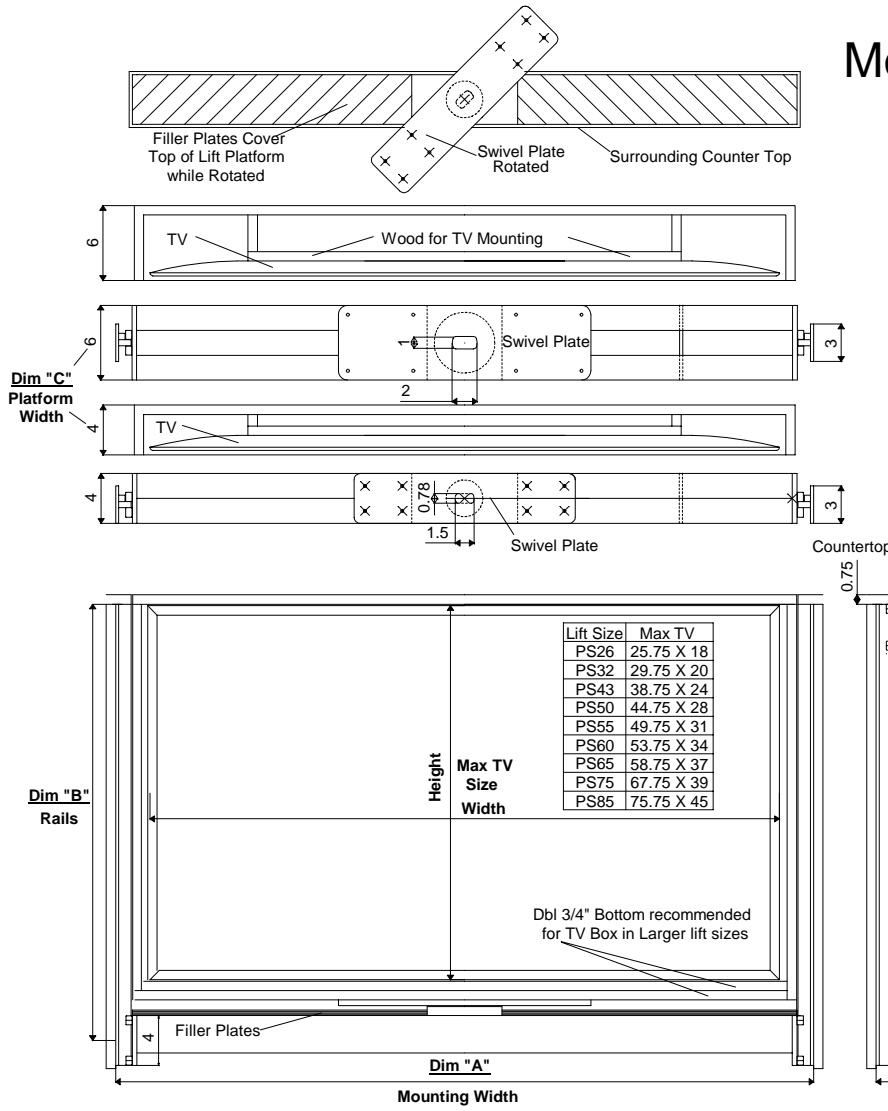


Motivated Design Pop-up & Swivel Lift Specifications



Motivated Design's Pop-up & Swivel Lifts are a uniquely adaptable design. This time tested and proven concept has been a major "Go To" product for our customers for more than 18 years. This TV lift system is suitable for all environments and is rugged enough for extreme duty in Marine applications while remaining Rock Steady and unbreakable.

The chart below shows the new lineup for 2020 as we have adjusted the sizes to better fit today's TVs with even more compactness. The chart indicates clearly what size lift will work best with your application based on your TV's dimensions.

Please note that you can mix and match any TV platform with your choice of Rails in order to increase or decrease travel when available to allow for added Speaker Bars, or to reduce cabinet height if your TV height will allow it. Also note that our Pop-Swivel Lifts can be used for more lifting applications than for just lifting TVs. Our versatility continues as we can install motors with capacities from 75 lbs to over 350 lbs plus. Lastly, we can custom build any size lift for whatever application or to fit exactly into an existing cabinet or space. This same lift system can also be ordered for Inverted applications for lowering TVs out of ceilings.

Manual Swivel is Standard Effective 01/01/2021

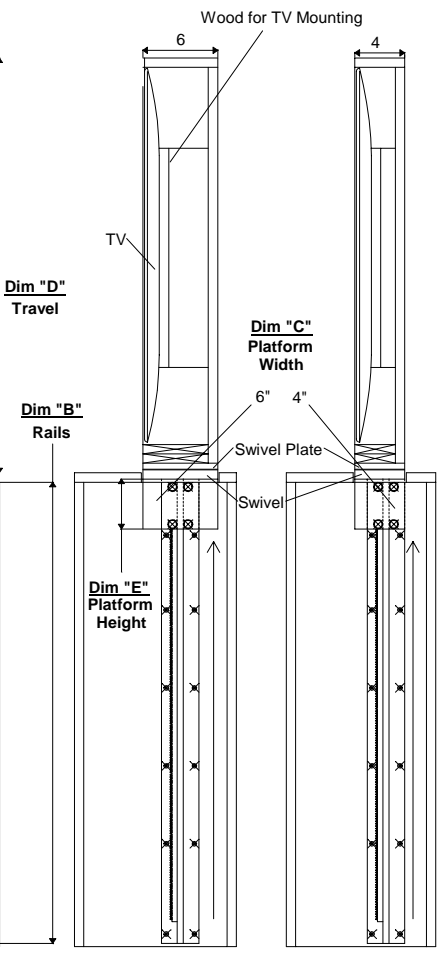
Model	TV Size	Dim "A"	Dim "B"	Dim "C"	Dim "D"	Dim "E"	In Stock
PS26 - R25	24"-26"	32"	25"	4" or 6"	19"	4"	No
PS32 - R27	32"	34"	27"	4" or 6"	21"	4"	Yes
PS43 - R31	38"-43"	43"	31"	4" or 6"	25"	4"	Yes
PS50 - R35	46"-50"	49"	35"	4" or 6"	28"	4"	Yes
PS55 - R38	55"	54"	38"	4" or 6"	31"	4"	Yes
PS60 - R41	60"	58"	41"	4" or 6"	34"	4"	No
PS65 - R44	65"	63"	44"	4" or 6"	37"	4"	Yes
PS75 - 6R46	75"	72"	46"	6"	39"	4"	No
PS85 - 6R50	85"	80"	CUST	6"	CUST	5"	Custom

Custom sizes with Short Lead Time - Hybrid sizes without Additional Lead Time
 Marine Grade Structural Aluminum Construction - Precision Bearing Guides
 Proven Indestructible Design - Powder Coated Finish - Quality Components

* Model Number Example
 PS= Pop-up / Swivel 55 = 55" Range TVs / _ = Select 4" or 6" Deep Frame / R36 = Rail Length 36"

Options:
 **12 VDC Trigger - Standard for Integration
 **Wireless Push-Button RF Remote Control
 *Switched Outlet - TV Shuts off when Closing
 *Compact Cable Tray Wire Management
 *Motorized Swivel models are also available

Shipping:
 All Lifts are shipped "Knocked Down" into 3 parts and are UPS shippable, saving on Crating and Freight charges.



Dim "A" Mounting Width 1.25 Rails